

Rhino Titanium Script Form

Defensive - Low Point (suitable for 0.5-1.5 player)

90900T



To Order Fill in the frame dimensions and features required. For variations describe in detail on a separate page. If you have any further questions contact us at the address at the bottom of the page.

SEND FORM

If online, click here to send via e-mail

CLIENT DETAILS

Date _____

Disability _____

Name _____

Grading _____

Address _____

Weight _____

Phone _____

Height _____

Fax / Cell _____

Shoe Size _____

Email _____

T-Shirt Size _____

DELIVERY DETAILS

Required by _____

(Delivery is normally 4-6 weeks from order confirmation)

ADDITIONAL NOTES

(you can type here)

Name _____

FOOTPLATE

- No Footplate Alloy Footplate Cover - adjustable **AD11690** Custom Alloy Footplate Cover **AD11691**
 Alloy Footplate Cover - fixed **AD11690** Alloy Footplate Cover - 4 post **AD11692**
 (Heavy Duty)

ANTI-TIPS

- Twin Swivel (wide set) **AD15151** Space required under Castor _____ (max 20mm)
 Poly Plating on Anti Tip **AD15166** Anti Tip Protect - Straight Bar _____ (height)

BEARINGS

- Standard Bearings Melrose Hybrid Ceramic Bearings **AD20400**

CASTORS

- 76 Rollerblade (std) Other _____

UPHOLSTERY

- Seat Sling (std) No Cushion Hip Strap - webbing **AD16510**
 Rhino Back Upholstery Adjustable Height only (std) _____ (width) Cushion 1" **AD16201** Hip Strap - ratchet **AD16550**
 Rhino Back Upholstery Adjustable Width and Height **AD16050** Cushion 2" **AD16202** Foot Strap - webbing **AD16333**
 Back Bar Cover **AD16420** Foot Strap - ratchet **AD16350**
 Leg Strap **AD16330**
 Chest Strap **AD45210**
 (measure around your chest and seat back)

- Gloves (style & size) _____ Wheel Bag (Black with choice of trim colour) **AD16780** (Choose your trim colour) **Bk R Bl Y Gr Pk Pu**
 Wheel Bag USA **AD16782** Classic Retro Dirty
 Custom Wheel Bag **AD16781** (describe below)

SKIRT GUARDS

- Fabric Skirt Guards **AD16100** Alloy Skirt Guards - screw on **AD16130** _____ (height)

ACCESSORIES

- Ball Holder Mounts **AD20350**
 Titanium Studs **AD20300**

Seat Width - Rear _____

Seat Width - Front _____

A Seat Length _____

B Back Width _____

C Back Splay - Top _____

D Back Splay - Length _____

E Back Height _____

F Back Angle _____

G Seat to Footplate _____

H Overall Frame Length
(centre of camber bar to front of pick bar) _____

I Wheel Base
(centre of camber bar to centre of pivot) _____

J Seat to Floor - Front _____

K Seat to Floor - Rear _____

L Balance Point _____

M Pivot Centres 11.5 12 12.5 13 13.5 14

N Footplate Position _____

O Between Wheels _____

P Camber _____

WINGS

Single Wings **AD20200**

Double Wings **AD20210T**

Inverted Wings **AD20220T**

Wing Height _____

PICK BAR

Titanium (welded) **AD20132**

Titanium (bolt on) **AD20131**

Steel (bolt on) **AD20120**

Width _____ Height _____

Angle _____ Code PB - _____

Q Transfer Rail **AD20312**

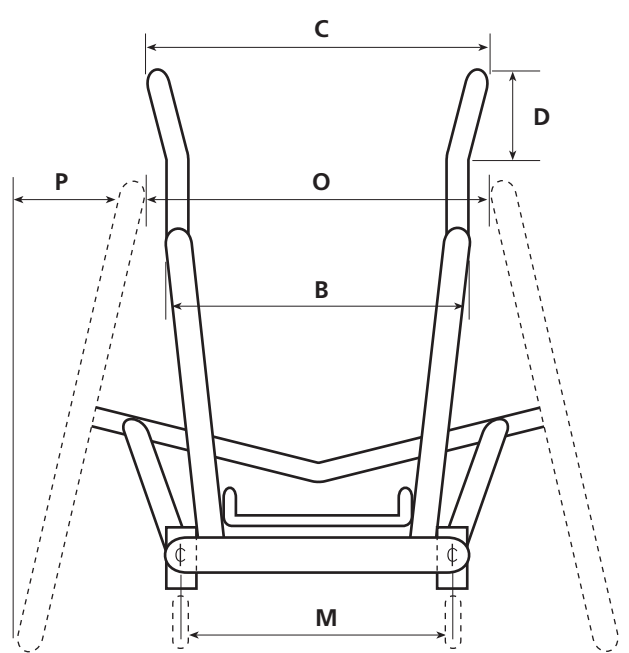
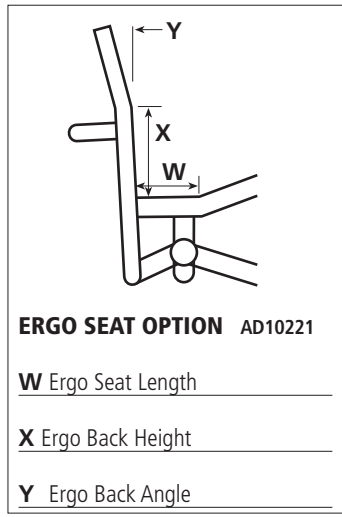
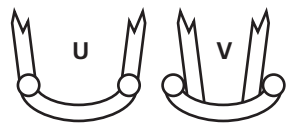
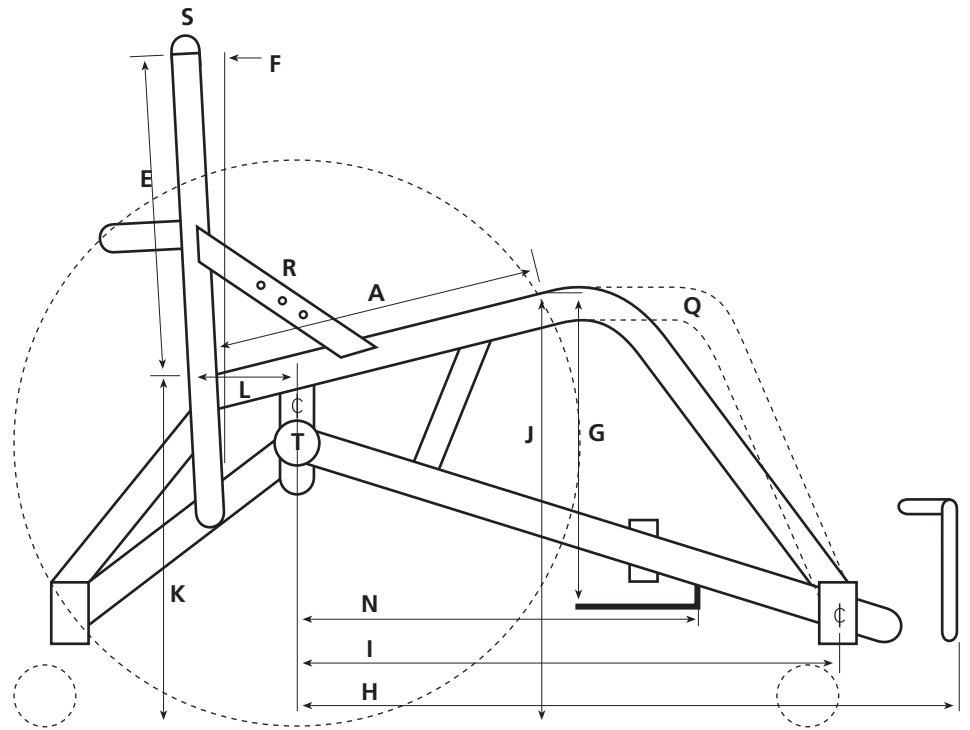
R Holes for Bindings

S Flexible Backpost Cap **AD20310**
(only available with fixed back)

T Axle Receivers 1/2" (std)
 5/8" **AD12550**

Castor Position **U** **V**

Name _____



Revision 2 Rhino T Def October 2017

Name _____

NO WHEELS Set the wheelchair up for: _____

WHEELS

TYRES

24"

- Spoked Wheels 1/2" axle (std)
- Spinerge SL Wheels 1/2" axle (24 spoke) **AD13410**
- Spinerge SLX Wheels 1/2" axle (24 spoke) **AD13420**
- Spinerge SLX Wheels 5/8" axle (24 spoke) **AD13430**

24"

- 24" x 1" High Pressure Smooth (std)
- Kenda Ironcap Blue (std)
- Schwalbe Right Run **AD13740**
- Tufo Tubeless **AD13760**

25"

- Spoked Wheels 1/2" axle **AD13060**
- Spinerge SL Wheels 1/2" axle (24 spoke) **AD13410**
- Spinerge SLX Wheels 1/2" axle (24 spoke) **AD13420**
- Spinerge SLX Wheels 5/8" axle (24 spoke) **AD13430**

25"

- 25" x 1" High Pressure Smooth (std)
- Kenda Ironcap Blue (std)
- Schwalbe Right Run **AD13740**
- Tufo Tubeless **AD13760**

26"

- Spoked Wheels 1/2" axle **AD13060**
- Spinerge SL Wheels 1/2" axle (24 spoke) **AD13410**
- Spinerge SLX Wheels 1/2" axle (24 spoke) **AD13420**
- Spinerge SLX Wheels 5/8" axle (24 spoke) **AD13430**

26"

- 26" x 1" High Pressure Smooth (std)
- Kenda Ironcap Blue (std)
- Schwalbe Right Run **AD13740**
- Tufo Tubeless **AD13760**

PUSHRIMS

- Anodised Alloy (std)
- Rubber coated (red) **AD13845**

PUSHRIMS - POSITION

- Standard
- In close
- Onto rim

SPOKE GUARDS

- Nil
- Clear Polycarb Dish Spoke Guard **AD13920**
- Clear Polycarb Attacker Spoke Guard **AD13925**
- Oversized Slotted Black Poly Dish Spoke Guard **AD13935**
- 35mm hole
- Other hole (size) _____

SPOKE GUARDS with PUSHRIMS (ONE PIECE)

- Nil
- Alloy SG001 (16mm p/r) **AD13950**
- Alloy SG001 (19mm p/r) **AD13950**
- Alloy Poly SG006 (16mm p/r) **AD13955**
- Alloy Poly SG006 (19mm p/r) **AD13955**
- Alloy Poly Oversize SG006os **AD13956**
- Red Rubber Poly SG004 (16mm p/r) **AD13960**
- Red Rubber Poly SG004 (19mm p/r) **AD13960**

SPARE WHEELS as above

- Spoked Wheel 24" **AD13507** (quantity) _____
- Spoked Wheel 25"/26" **AD13561** (quantity) _____
- Spinerge SL Wheel **AD13641** (quantity) _____
- Spinerge SLX Wheel 1/2" axle **AD13651** (quantity) _____
- Spinerge SLX Wheel 5/8" axle **AD13661** (quantity) _____

TYRES, TUBES and AXLES on SPARE WHEELS

- Tube fitted **AD13695** (quantity) _____
- Kenda Tyre fitted **AD13701** (quantity) _____
- Schwalbe Tyre fitted **AD13741** (quantity) _____
- Axle 1/2" **AD12508** (quantity) _____
- Axle 5/8" **AD12510** (quantity) _____

SPOKE GUARDS for SPARE WHEELS as above FIT TO SPARE WHEEL

- Clear Polycarb Dish Spoke Guard **AD13921** (quantity) _____
- Clear Polycarb Attacker Spoke Guard **AD13926** (quantity) _____
- Oversized Slotted Black Poly Dish Spoke Guard **AD13936** (quantity) _____
- Red Rubber Pushrim **AD13846** (quantity) _____

DO NOT FIT TO SPARE WHEEL

- Alloy SG001 **AD13951** (quantity) _____
- Alloy Poly SG006 **AD13954** (quantity) _____
- Alloy Poly Oversize SG006os **AD13957** (quantity) _____
- Red Rubber Poly SG004 **AD13961** (quantity) _____

EXTRA AXLES

- Axles 1/2" **AD12514** _____
- Axles 5/8" **AD12516** _____

EXTRA BEARINGS

- Steel 608 5/16" **AD20402** _____
- Steel R8 1/2" **AD20405** _____
- Ceramic 608 5/16" **AD20403** _____
- Ceramic R8 1/2" **AD20407** _____