

Warrior Script Form

Rugby League Sports Wheelchair 90906



To Order Fill in the frame dimensions and features required. For variations describe in detail on a separate page. If you have any further questions contact us at the address at the bottom of the page.

SEND FORM
If online, click here to send via e-mail

CLIENT DETAILS

Date _____

Name _____

Address _____

Phone _____

Fax / Cell _____

Email _____

Disability _____

Grading _____

Weight _____

Height _____

Shoe Size _____

T-Shirt Size _____

DELIVERY DETAILS

Required by _____
(Delivery is normally 4-6 weeks from order confirmation)

ADDITIONAL NOTES

(you can type here)

Warrior Script Form

Rugby League Sports Wheelchair

Name _____

FOOTPLATE

- Alloy tube footplate (std) Alloy footplate cover **AD11690** Footplate angle _____ (degrees)

ANTI-TIPS

- Twin swivel **AD15150** Single swivel **AD15100**

BEARINGS

- Standard bearings Melrose hybrid ceramic bearings **AD20400**

CASTORS

- Rollerblade (std) Other _____

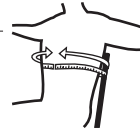
SKIRT GUARDS

- Fabric skirt guards **AD16100** Alloy skirt guards **AD16125** Height _____

UPHOLSTERY

- | | | | |
|--|---|--|--|
| <input type="checkbox"/> Seat sling - Screw down (std) | <input type="checkbox"/> Standard adj width back (std) | <input type="checkbox"/> No Cushion | <input type="checkbox"/> Hip strap - webbing AD16510 |
| <input type="checkbox"/> Seat sling - Wrap around | <input type="checkbox"/> Tension adjustable back AD16050 | <input type="checkbox"/> Cushion 1" AD16201 | <input type="checkbox"/> Hip strap - ratchet AD16550 |
| | | <input type="checkbox"/> Cushion 2" AD16202 | <input type="checkbox"/> Leg strap AD16330 |
| | | | <input type="checkbox"/> Knee strap - ratchet AD16351 |
| | | | <input type="checkbox"/> Foot strap - webbing (std) |
| | | | <input type="checkbox"/> Foot strap - ratchet AD16350 |

- Back bar cover **AD16420** Chest strap **AD45210**
(measure around your chest and seat back)

**ACCESSORIES**

- Wheel bag (black with choice of trim colour) **AD16780** (Choose your trim colour) **Bk R Bl Y Gr Pk Pu** Custom Wheel Bag **AD16781**
(describe below)
- Extra axles (quantity) _____
- Gloves _____
(style and size)

ADDITIONAL NOTES

(you can type here)

Warrior Script Form

Rugby League Sports Wheelchair

Seat Width - Rear _____

Name _____

Seat Width - Front _____

A1 Taper From _____

A Seat Length _____

B Back Width _____

C Back Splay - Top _____

D Back Splay - Length _____

E Back Height _____

F Back Angle _____

G Seat to Footplate _____

H Frame Length
(centre of camber bar to front of wing bar)

I Wheel Base
(centre of camber bar to centre of pivot)

J Seat to Floor - Front _____

K Seat to Floor - Rear _____

L Balance Point _____

M Pivot Centres _____

N Footplate Position _____

O Between Wheels _____

P Camber _____

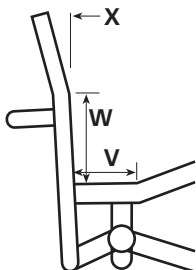
Q Holes for Bindings

R Flexible Backpost Cap AD20310
(only available with fixed back)

Binding Mounts Std
 Custom AD20315

Axle Receivers 1/2" (std)
 5/8" AD12550

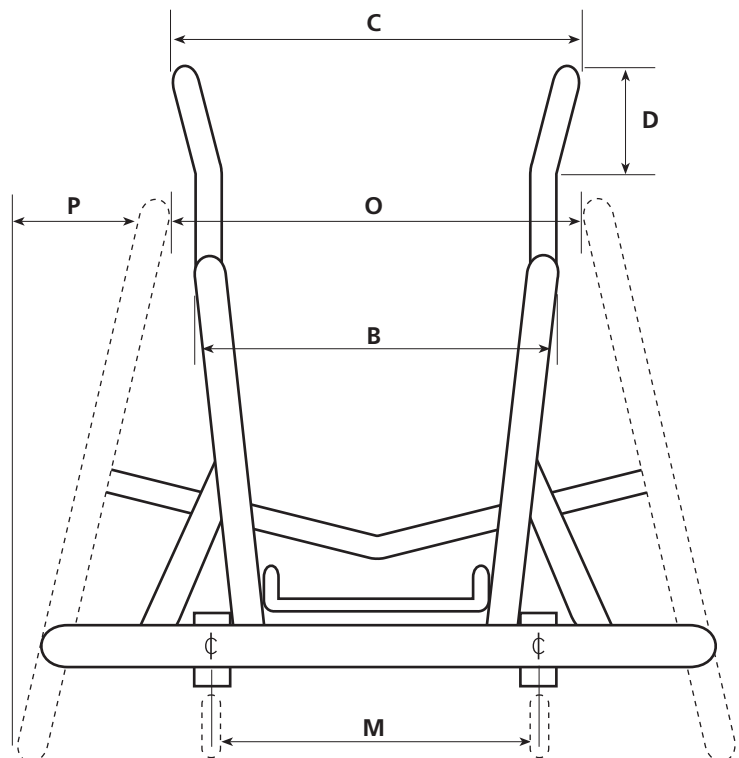
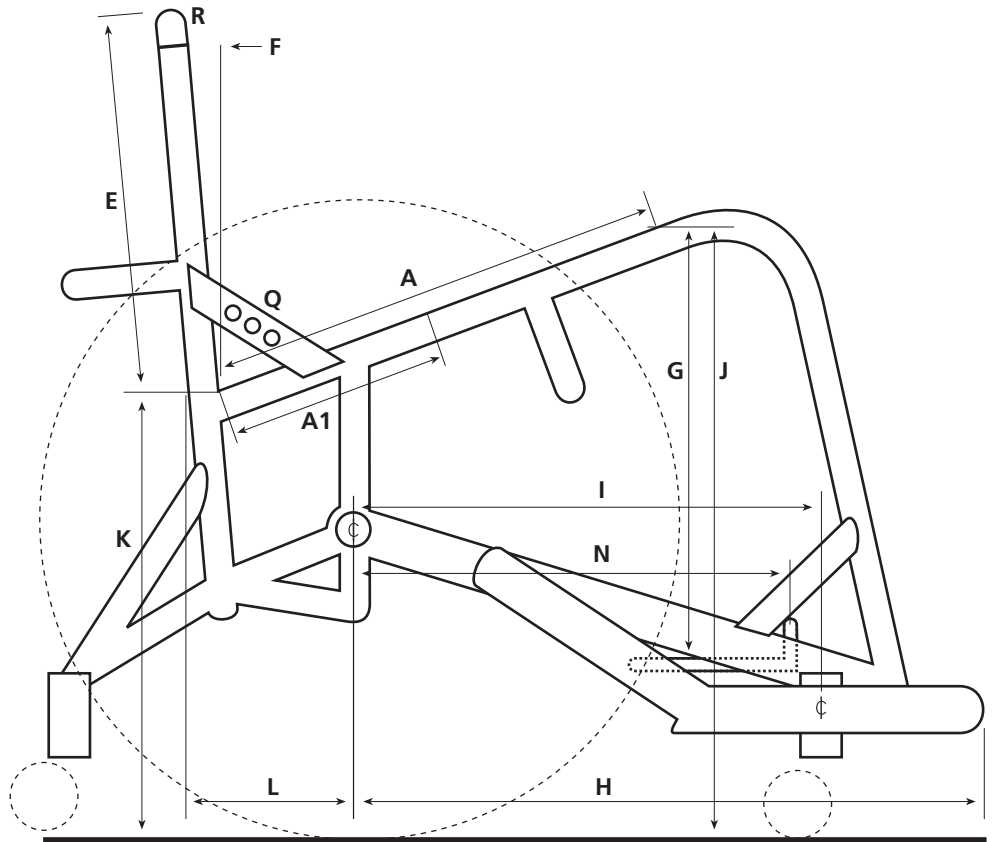
ERGO SEAT OPTION AD10220



V Ergo Seat Length _____

W Ergo Back Height _____

X Ergo Back Angle _____



Name _____

WHEELS**24"**

- Spoked Wheels (std)
- Spinergy SL Wheels 1/2" axle (24 spoke) **AD13410**
- Spinergy SLX Wheels 1/2" axle (24 spoke) **AD13420**
- Spinergy SLX Wheels 5/8" axle (24 spoke) **AD13430**

25"

- Spoked Wheels **AD13050**
- Spinergy SL Wheels 1/2" axle (24 spoke) **AD13410**
- Spinergy SLX Wheels 1/2" axle (24 spoke) **AD13420**
- Spinergy SLX Wheels 5/8" axle (24 spoke) **AD13430**

26"

- Spoked Wheels **AD13050**
- Spinergy SL Wheels 1/2" axle (24 spoke) **AD13410**
- Spinergy SLX Wheels 1/2" axle (24 spoke) **AD13420**
- Spinergy SLX Wheels 5/8" axle (24 spoke) **AD13430**

27"

- Spoked Wheels **AD13050**
- Spinergy SL Wheels 1/2" axle (24 spoke) **AD13410**
- Spinergy SLX Wheels 1/2" axle (24 spoke) **AD13420**

TYRES**24"**

- 24" x 1" High Pressure Smooth (std)
- Kenda Ironcap Blue (std)
- Kenda Konstrictor (std)
- Schwalbe Right Run **AD13740**

25"

- 25" x 1" High Pressure Smooth (std)
- Kenda Ironcap Blue (std)
- Kenda Konstrictor (std)
- Kenda Kaliente **AD13721**
- Schwalbe Right Run **AD13740**
- Schwalbe Speedair **AD13770**

26"

- 26" x 1" High Pressure Smooth (std)
- Kenda Ironcap Blue (std)
- Schwalbe Right Run **AD13740**

27"

- 27" x 1" High Pressure Smooth (std)

PUSHRIMS

- Anodised alloy (std) Rubber coated (red) **AD13845**

PUSHRIMS - POSITION

- Standard In close Onto rim

SPOKE GUARDS

- Nil Clear polycarb dish **AD13920** Clear polycarb attacker **AD13925** Alloy poly (16mm pushrim) **AD13955**
- Alloy poly (19mm pushrim) **AD13955** Oversized slotted black poly dish **AD13935**

SPARE WHEELS

- One spare wheel (as above) With spoke guard (as above) Pair of spare wheels (as above) With spoke guards (as above)